

# A plastic scintillator-based 2D thermal neutron mapping system for use in BNCT studies

Ghal-eh, N.; Green, S.

DOI:

[10.1016/j.apradiso.2016.03.002](https://doi.org/10.1016/j.apradiso.2016.03.002)

License:

Creative Commons: Attribution-NonCommercial-NoDerivs (CC BY-NC-ND)

*Document Version*

Peer reviewed version

*Citation for published version (Harvard):*

Ghal-eh, N & Green, S 2016, 'A plastic scintillator-based 2D thermal neutron mapping system for use in BNCT studies', *Applied Radiation and Isotopes*, vol. 112, pp. 31-37. <https://doi.org/10.1016/j.apradiso.2016.03.002>

[Link to publication on Research at Birmingham portal](#)

**Publisher Rights Statement:**

Eligibility for repository checked: 20/04/16

**General rights**

Unless a licence is specified above, all rights (including copyright and moral rights) in this document are retained by the authors and/or the copyright holders. The express permission of the copyright holder must be obtained for any use of this material other than for purposes permitted by law.

- Users may freely distribute the URL that is used to identify this publication.
- Users may download and/or print one copy of the publication from the University of Birmingham research portal for the purpose of private study or non-commercial research.
- User may use extracts from the document in line with the concept of 'fair dealing' under the Copyright, Designs and Patents Act 1988 (?)
- Users may not further distribute the material nor use it for the purposes of commercial gain.

Where a licence is displayed above, please note the terms and conditions of the licence govern your use of this document.

When citing, please reference the published version.

**Take down policy**

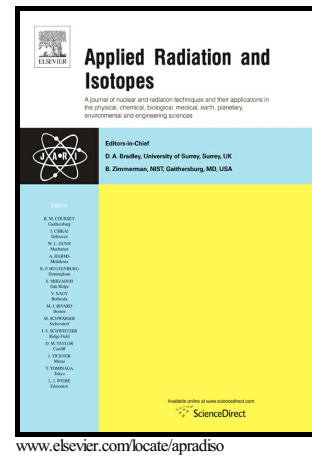
While the University of Birmingham exercises care and attention in making items available there are rare occasions when an item has been uploaded in error or has been deemed to be commercially or otherwise sensitive.

If you believe that this is the case for this document, please contact [UBIRA@lists.bham.ac.uk](mailto:UBIRA@lists.bham.ac.uk) providing details and we will remove access to the work immediately and investigate.

# Author's Accepted Manuscript

A plastic scintillator-based 2D thermal neutron mapping system for use in BNCT studies

N. Ghal-Eh, S. Green



PII: S0969-8043(16)30086-0  
DOI: <http://dx.doi.org/10.1016/j.apradiso.2016.03.002>  
Reference: ARI7414

To appear in: *Applied Radiation and Isotopes*

Received date: 9 December 2015  
Revised date: 2 March 2016  
Accepted date: 2 March 2016

Cite this article as: N. Ghal-Eh and S. Green, A plastic scintillator-based 2D thermal neutron mapping system for use in BNCT studies, *Applied Radiation and Isotopes*, <http://dx.doi.org/10.1016/j.apradiso.2016.03.002>

This is a PDF file of an unedited manuscript that has been accepted for publication. As a service to our customers we are providing this early version of the manuscript. The manuscript will undergo copyediting, typesetting, and a review of the resulting galley proof before it is published in its final citable form. Please note that during the production process errors may be discovered which could affect the content, and all legal disclaimers that apply to the journal pertain.

# A plastic scintillator–based 2D thermal neutron mapping system for use in BNCT studies

N. Ghal–Eh\*<sup>a</sup> and S. Green<sup>b,c</sup>

<sup>a</sup>*School of Physics, Damghan University, 36716–41167, Damghan, Iran*

<sup>b</sup>*School of Physics and Astronomy, University of Birmingham, B15 2TT, United Kingdom*

<sup>c</sup>*Hall Edwards Radiotherapy Research Group, Department of Medical Physics, University Hospital Birmingham, Birmingham, B15 2TH, United Kingdom*

\*Corresponding author: Nima Ghal–Eh, School of Physics, Damghan University, Damghan, Iran

Email: ghal–eh@du.ac.ir; Telefax.: +98 23 35 22 00 90

---

## Abstract

In this study, a scintillator–based measurement instrument is proposed which is capable of measuring a two–dimensional map of thermal neutrons within a phantom based on the detection of 2.22MeV gamma rays generated via  $n_{th}+H\rightarrow D+\gamma$  reaction. The proposed instrument locates around a small rectangular water phantom (14cm×15cm×20cm) used in Birmingham BNCT facility. The whole system has been simulated using MCNPX 2.6. The results confirm that the thermal flux peaks somewhere between 2cm and 4cm distance from the system entrance which is in agreement with previous studies.

Keywords: BNCT; MCNP; Scintillator; Thermal neutrons;

PACS: 87.55.Gh; 87.55.K–;

---

## 1. Introduction

Boron neutron capture therapy (BNCT) is a binary form of radiotherapy based on the administration of a  $^{10}\text{B}$ -compound which accumulates in the tumor at higher concentration than in healthy tissues, and on the successive irradiation of the target with low energy neutrons (Hatanaka, 1987). Thermal neutron capture in  $^{10}\text{B}$ , with a cross section of 3837 b at thermal energies, gives rise to high-LET radiation, generating an alpha particle and a  $^7\text{Li}$  nucleus with ranges in tissues comparable to a cell diameter. As the energy deposition is spatially confined in the cells where neutrons are captured, dose delivery is selective at a cellular level without requiring the irradiation field to tightly match the shape of the target. This characteristic makes BNCT a potential option for the tumours that cannot be surgically removed nor treated with a conventional radiotherapy (Farías et al., 2014).

It is necessary to have a high flux of thermal neutrons in the region of the tumours to be treated. For tumours which are deep in the body, it becomes necessary to target the patient with a flux of higher energy neutrons (i.e., epithermal). These in turn become moderated as they pass through overlying tissue, ultimately delivering the required thermal neutron dose to which boron reacts so favorably. This means that a high flux of thermal neutrons at the tumour position makes the radiotherapy treatment selective and confirms that determination of the thermal neutron flux distribution is one of the most important quality assurance (QA) steps in BNCT treatment.

A variety of detection techniques have been proposed for BNCT QA which can be categorized in three groups: (1) techniques relying on the prompt-gamma (i.e.,  $^7\text{Li}^*$  478keV de-excitation gamma rays) such as those called BNCT-SPECT (McGregor et al., 1996), (2) epithermal neutron measurement techniques (such as those incorporating resonance absorption filters) (Ghal-Eh et al., 2007) and (3) thermal neutron measurements which are mostly passive and based on neutron activation (Mostafaei et al., 2015).

The present study aims to present a reliable tool for thermal neutron measurement (within the framework of group (3) of the above mentioned categories). Section 2 reviews the thermal neutron measurement methods that are currently implemented in BNCT studies with the emphasis on the need for an on-line thermal neutron measurement system.

The idea for the proposed system is a special position-sensitive array detector mostly used in astrophysics applications. In the present application a 2D map of the thermal neutrons within the phantom is measured which will be discussed in Section 3. Section 4 presents the details of the proposed system together with the MCNP simulation results for an incident epithermal neutron beam.

## 2. Research background

### 2.1. Thermal neutron measurement methods

A detailed knowledge of the thermal flux distribution in a phantom is important for understanding the boron dose in BNCT. Thermal neutron flux simulations with Monte Carlo codes depend on accurate cross sections and also need experimental verification.

Thermal neutron measurement is basically undertaken either through neutron-induced nuclear reactions with suitable nuclei (i.e., with high thermal neutron absorption cross section) such as  ${}^6\text{Li}$ ,  ${}^{10}\text{B}$  and  ${}^3\text{He}$  or through neutron capture reactions with nuclei such as indium, copper, gold or thermoluminescence compounds. Utilising these reactions, the neutron flux at a BNCT facility is measured by a variety of methods, the most common being foil activation cadmium difference instruments, ionization chambers with deposited fission converter material or TLDs. The cadmium difference method requires two separate irradiations at a beam port and post irradiation measurements of the induced gamma activity. Cadmium cut-off energy can also be used as neutron energy separator in a Monte Carlo simulation package for thermal neutron flux calculation. The energy dependence of cadmium neutron capture cross section differs from the  ${}^{10}\text{B}$  cross section. TLD is not a direct method of thermal neutron flux measurement but requires an independent calibration. Unshielded fission counters,  ${}^3\text{He}$ -filled and  $\text{BF}_3$  ion chambers are also used at reactor-based BNCT to monitor the residual thermal neutron flux.

Almost all commonly-used techniques described above do not really map the thermal flux in an on-line manner. In the present study, the approach which has been mainly used by astrophysicists, is developed for a 2D thermal neutron mapping inside a small water phantom.

## 2. 2. Orthogonal position-sensitive measurement system

In 1977, Gerber et al. introduced a position-sensitive gamma-ray detector in which two orthogonal arrays of semi-conductor detectors were proposed, with the idea of using a coincidence circuit between detector banks (Gerber et al., 1977) (Fig. 1.). Similar efforts but in different applications have been made by Amman and Luke (Amman and Luke, 2001) using germanium detectors, Bravar et al. (Bravar et al., 2006) for fast neutron detection with plastic scintillators, Nelson (Nelson, 2012) for a system similar to SPECT, Crucheru et al. (Crucheru et al., 2013) for heavy charged particle detections and by Binns et al. (Binns et al., 2014) for the detection of ultra-heavy galactic cosmic rays.

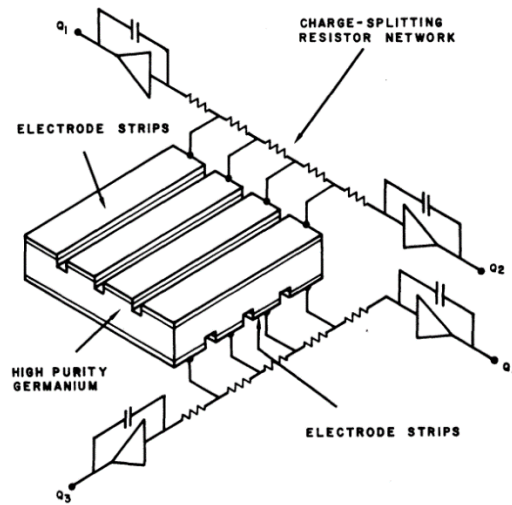


Figure 1: The orthogonal-strip position-sensitive detector proposed by Gerber et al. (Gerber et al., 1977).

The orthogonal position-sensitive systems operate based on the coincident signals from two perpendicular detectors that are hit by crossing incident particle that can deposit enough energy in both detectors. This system can be modified as shown in Fig. 2.

As seen, neglecting the coincidence circuitry for the moment, the two detector arrays have been separated to allow a specific rectangular object (i.e., the water phantom) to be placed in between. The purpose is to locate the  $xz$  position of the radiation source within the rectangular object with pulse-height information taken from the two detector sets. The geometry details and the Monte Carlo simulations of the proposed system with the MCNPX code (McKinney et al., 2007) are provided in Section 3.

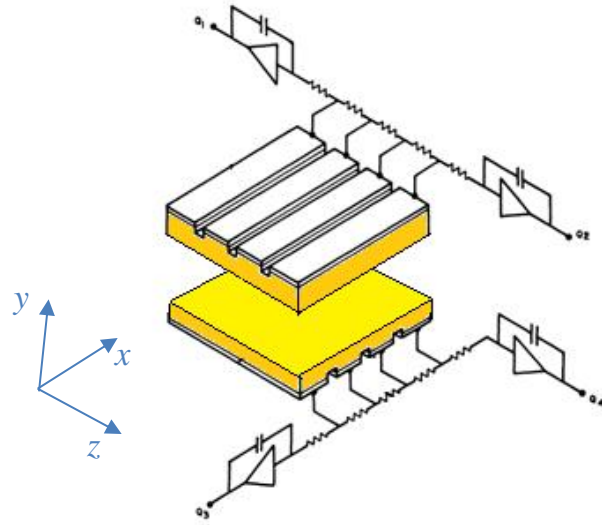


Figure 2: Modified orthogonal-strip position-sensitive detector.

### 3. 2D thermal mapping system

The basis of the Birmingham BNCT project is the 3 MV Dynamitron accelerator situated at the University of Birmingham in which a beam of relatively low-energy ( $\sim 2.8$  MeV) protons are bombarded onto a thick natural lithium target and neutrons are produced according to the  ${}^7\text{Li}(p,n){}^7\text{Be}$  reaction. The accelerator has demonstrated proton currents in excess of 1 mA producing a neutron intensity of  $1.37 \times 10^{12}$  n/s. In order to reach the epithermal energies required for therapy in BNCT a special beam-shaping assembly (BSA) made of Flual<sup>TM</sup> (69%  $\text{AlF}_3$ /30% Al/1% LiF) as moderator, graphite as reflector and lithiated polyethylene as absorber has been constructed. The schematics of the BSA and the small ( $14 \times 15 \times 20 \text{cm}^3$ ) rectangular water phantom are shown in Figs. 3 and 4, respectively.

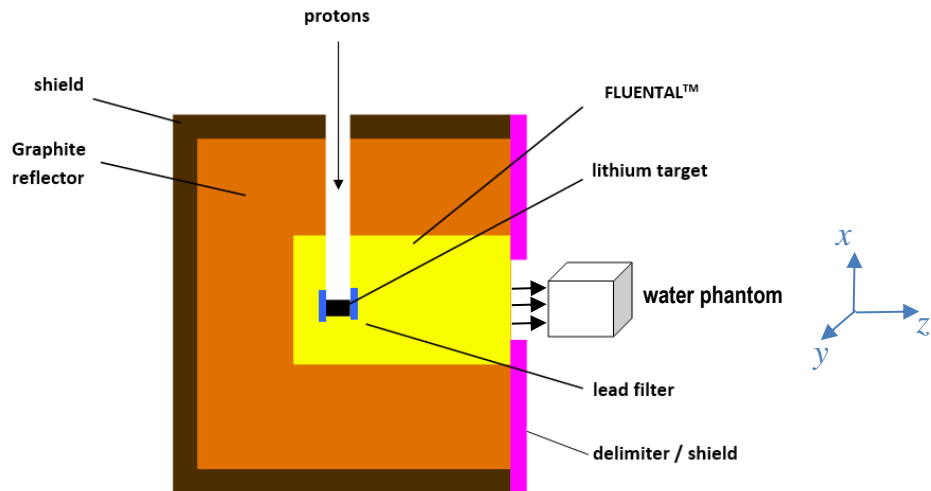


Figure 3: Schematic diagram of the neutron moderating system and rectangular water phantom.

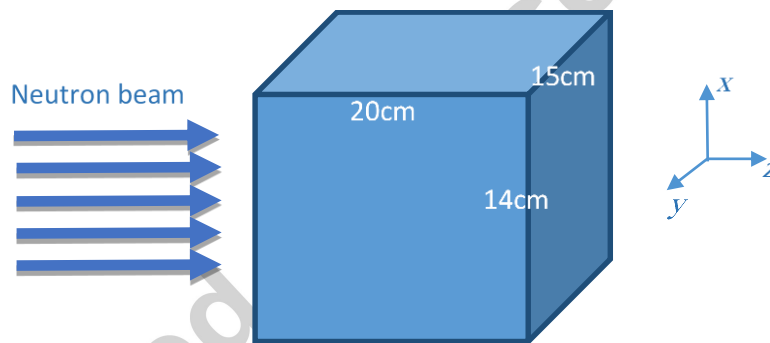


Figure 4: The rectangular water phantom. The neutrons are incident on the  $xy$  surface in  $+z$  direction.

The proposed thermal neutron mapping system has been designed to be placed around the water phantom. The system consists of seventeen rectangular NE102 plastic scintillators (seven  $2 \times 2 \times 20 \text{ cm}^3$  and ten  $2 \times 2 \times 14 \text{ cm}^3$ ). All seventeen scintillators are intended to be coupled onto  $2 \times 2 \text{ cm}^2$  square-window photomultiplier tubes (PMTs) as shown in Fig. 5.

The  $xz$  projection of the two orthogonal scintillator sets forms a mesh of 70 pixels of  $2 \times 2 \text{ cm}^2$  area. Similar mesh tiles may be considered on the  $xz$  surface of the water phantom (i.e., 70 equal-volume water voxels of  $2 \times 2 \times 15 \text{ cm}^3$ ). The opposing banks of detectors are not operated in a coincidence mode in this application.

MCNPX simulations have been performed to evaluate the thermal neutron flux within the water phantom when a broad beam of 1 keV neutrons are incident on the  $xy$  plane of the water phantom. As



seen in Fig. 6, the thermal flux (i.e., with energies below 1 eV) peaks at the second horizontal pixels (i.e., somewhere between 2 cm and 4 cm away from the beam entrance) which is in agreement with previous experimental (Binns et al., 2005) and Monte Carlo (Rassow et al., 2001) studies. It is most desirable if the proposed system can provide similar results within the limits of its 2-cm spatial resolution.

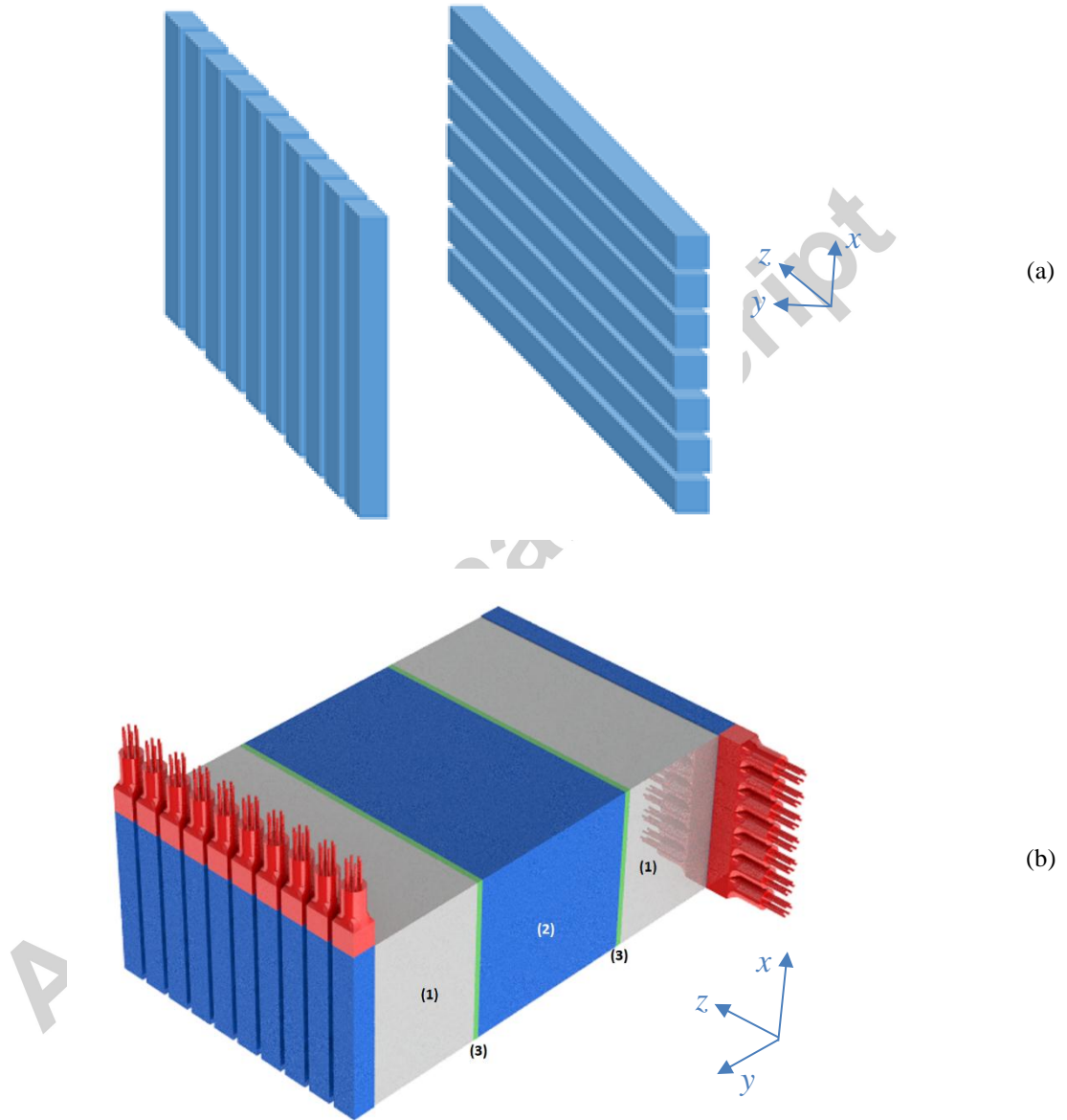


Figure 5: (a) Two sets of orthogonal plastic scintillators to be placed around the water phantom. (b) The detection system consists of horizontal and vertical scintillators, thick lead collimator blocks (1), rectangular water phantom (2), thin cadmium sheets (3) and 17 PMTs.

It is well known that  $H(n,\gamma(2.22\text{ MeV}))D$  reaction occurs as soon as neutrons are thermalized inside water. The positions at which 2.22 MeV gamma rays are emitted are regarded as thermal neutron interaction points. Hence the thermal neutron distribution mapping may be obtained by locating (i.e., imaging) the 2.22 MeV gamma rays.

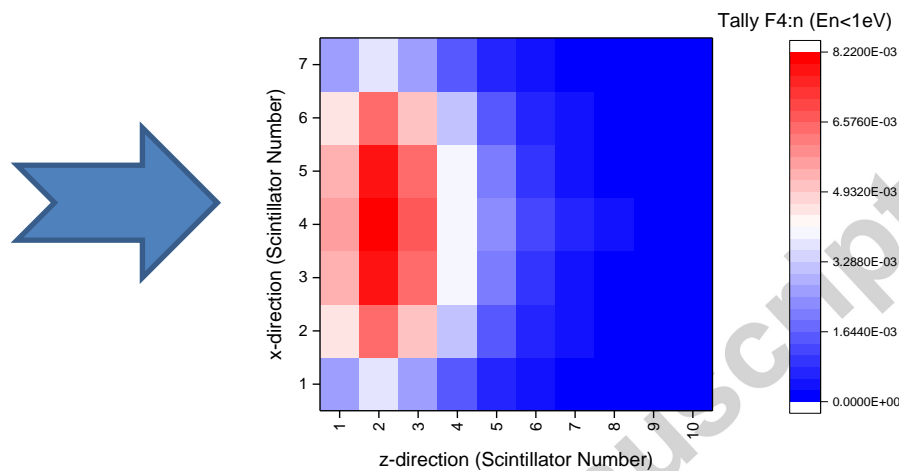


Figure 6: The thermal (i.e.,  $E_n < 1\text{eV}$ ) neutron flux distribution within a rectangular phantom.

Several geometries have been examined to obtain an optimum configuration for the system. The collimator geometry and the thickness of necessary thermal neutron shielding have been determined with MCNP simulations. Two relatively thick (10 cm) lead collimators have been chosen at both sides between the water phantom and plastic scintillator arrays. Such a thick collimator can suppress approximately 99.4% of the 2.22 MeV gamma rays and for which the suitable thickness can be simply calculated using the gamma ray linear attenuation coefficient (NIST). Each collimator block has 280 cylindrical holes of 3 mm radii. To avoid thermal neutron interaction with both plastic scintillators and PMT windows and to enhance signal-to-noise ratio, a 5 mm cadmium layer has been placed between the water phantom and lead collimator. The top view of the proposed system and the neutron flux are illustrated in Fig. 7. The neutron-induced gamma-rays are propagated inside the water phantom and eventually deposit energies within the plastic scintillator arrays after travelling through the narrow collimators. The gamma-ray deposition energy plot is shown in Fig. 8 whilst Fig. 9 shows the pulse-height distributions of both horizontal and vertical plastic scintillators. As shown in Fig 9, unlike

---

inorganics, the plastic scintillators do not represent full-energy peak (i.e., photopeak) due to their relatively low photo-electric interaction cross section which is mainly because of low-Z constituents and density.

Having calculated the required pulse-height spectra from both horizontal and vertical scintillators, the thermal neutron distribution imaging strategy was the next important step. Since our preliminary measurement studies focus on a 2D image, the general reconstruction procedures normally used for 3D imaging are not necessary. Several mathematical models have been checked but finally it has been decided to simply use the multiplication of horizontal scintillator counts by vertical ones to obtain 70 different values corresponding to 70 square pixels. Here the scintillator counts refer to the area under the spectrum from 2.0MeV to 2.3MeV as a measure of those gamma rays received by the scintillators without serious energy loss when travelling through long air holes inside thick lead collimators. This so-called pulse-height threshold can be undertaken by setting appropriate lower-level discriminator in practical application.

Also the ambient or background gamma rays have been neglected in the present setup. However, for practical purposes, an appropriate gamma ray shield is necessary for obtaining an unblurred image.

In order to check the image-reconstruction procedure for the proposed measurement system, a point source of 2.22MeV gamma rays has been considered at different positions inside the water phantom. As seen in Fig. 10, the reconstructed images well agree with the input data. A numerical example for the image reconstruction has been given in Section 4.

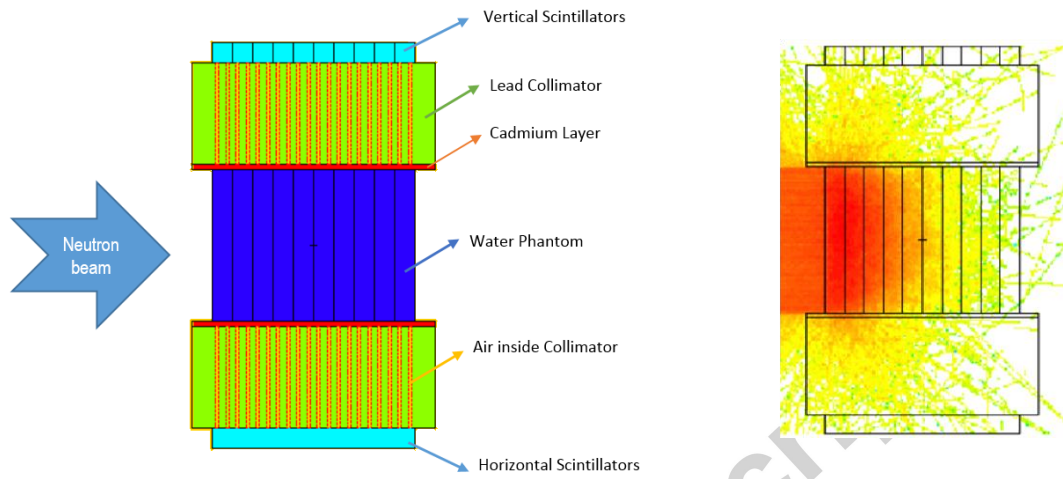


Figure 7: (Left) The MCNP-generated plot of the proposed thermal neutron imaging system (top view). (Right) The MCNPX mesh tally plot of neutron flux.

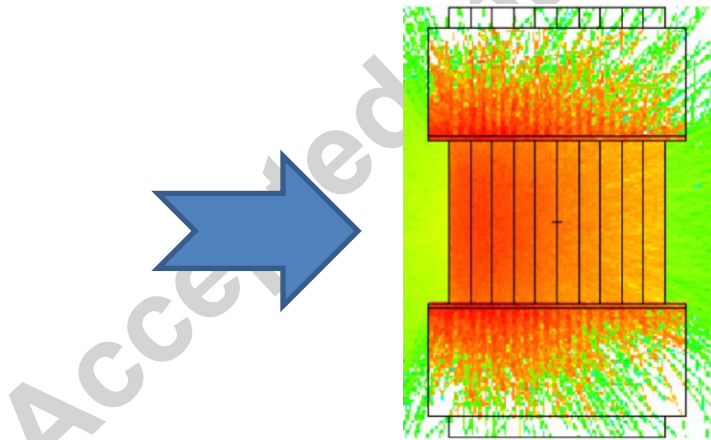


Figure 8: Neutron-induced gamma ray deposition energy mesh tally plot when the measurement system is exposed to a broad beam of 1 keV neutrons.

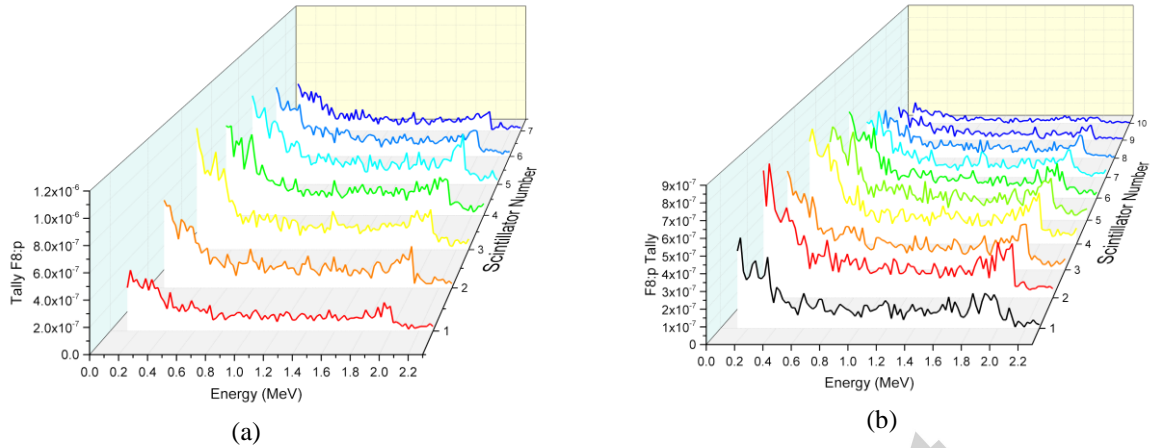


Figure 9: The pulse–height distribution of (a) horizontal and (b) vertical NE102 scintillators when the water phantom is irradiated with a broad beam of 1 keV neutrons.

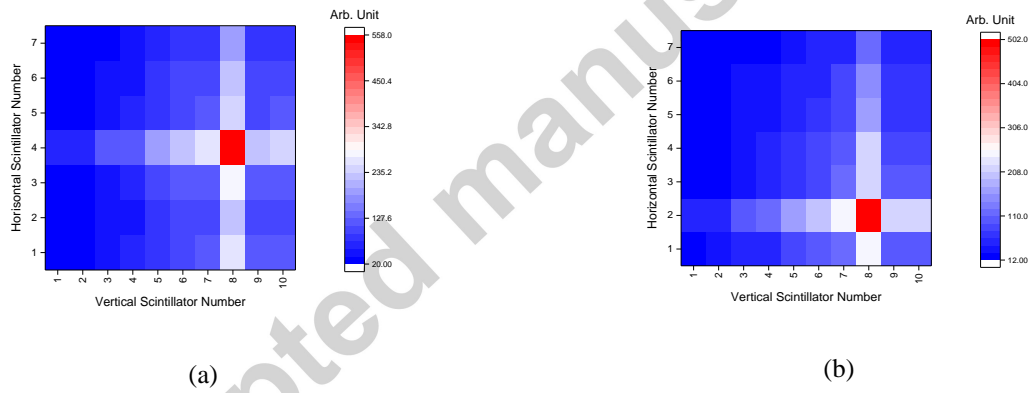


Figure 10: The reconstructed image when the point 2.22 MeV gamma–ray source is located at (a)  $(x, y, z) = (0, 0, 5)$  cm and (b)  $(x, y, z) = (-4, 0, 5)$  cm

#### 4. Results and discussion

The thermal neutron profile within the water phantom is the most important information required for quality assurance of a BNCT beam. In this paper, a proposed system has been designed to be placed around the small water phantom, consisting seven  $2 \times 2 \times 20$  cm<sup>3</sup> and ten  $2 \times 2 \times 14$  cm<sup>3</sup> NE102 scintillators coupled onto  $2 \times 2$  cm<sup>2</sup> square–window PMTs. The typical tally F8 values for both horizontal and vertical scintillators when exposed to a beam of 1keV neutrons together with image matrix values produced

through multiplications have been presented in Table 1. The corresponding constructed image is also shown in Fig. 11.

As seen in Figs. 12 and 13, although both the thermal flux and the reconstructed image show that the thermal flux peak occurs at the second vertical scintillator, the image exhibits a thermal neutron spread towards the end of the water phantom. The difference may be attributed to the penetration of radiation (gamma rays or secondary electrons) from one scintillator to the neighboring ones (i.e. cross-talk), which apparently disturbs the imaging resolution. The existence of cross-talk has been examined by considering an unrealistic dense scintillators in MCNP simulation and also by setting a specific scintillator as void. In the physical system (which has not yet been constructed) it is anticipated that this problem may be resolved by setting up two separate anti-coincidence circuits, one among seven horizontal scintillators and the other between ten vertical ones. This is purely to suppress cross-talk between adjacent scintillators. There is no coincidence requirement between the opposing banks of scintillators (as there would be in a PET detection system). Since the anti-coincidence circuit does not generate output if its input signals are produced within a short time interval, any penetration from one scintillator to another (normally between two adjacent scintillators) is vetoed.

The presented image shows a clear sensitivity to the incident neutron energy. As seen in Fig. 14, the thermal neutron concentration moves forward as neutron energy increases. From our calculations, the proposed system would be able to easily discriminate a change from an incident neutron energy of 0.5 keV to 1 keV (data not shown) and from 1 keV to 10 keV (as shown in Fig. 14). Further work is required to quantify the minimal detectable change in incident beam energy across a wider energy range.

In this paper an incident epithermal beam has been considered, however in principle such a system could also be applied to an incident thermal neutron beam or indeed to a “mixed” beam as sometimes used clinically for BNCT. In this proof-of concept study, a 2-cm spatial resolution has been used and only 2D reconstruction adopted of the thermal fluence within a small rectangular phantom of approximately the size of a human head. All of these choices could be reviewed for a final clinical system. Neutron beams used for BNCT tend to have simple circular or rectangular cross sections so 2D reconstruction is likely to be sufficient. Nevertheless the approach described here is generalizable to 3D reconstruction and indeed could be applied to any phantom geometry. In terms of spatial resolution, for

clinical use it is likely that in the first 3–4 cm from the phantom surface a higher spatial resolution would deliver some advantages, and perhaps 0.5cm would be closer to the optimum resolution. This would be helpful for both thermal and epithermal beam incidence. Beyond around 4cm deep, the relatively slow and smooth variation of thermal fluence with depth means that 2 cm spatial resolution is likely to be sufficient.

Table 1: The tally F8 values (in arbitrary unit) calculated for horizontal and vertical scintillators when exposed to a broad beam of 1 keV neutrons. The image matrix elements which are further converted into pixel intensities have been calculated through simple multiplication of vertical by horizontal scintillators' values.

|   |      | Vertical Scintillators: Typical F8 Values |       |       |       |       |       |       |       |      |      |
|---|------|---|-------|-------|-------|-------|-------|-------|-------|------|------|
|   |      | 17.29                                     | 21.62 | 20.80 | 17.53 | 14.59 | 10.59 | 7.13  | 4.86  | 3.61 | 2.02 |
| Horizontal Scintillators: Typical F8 Values | 1.12 | 19.36                                     | 24.21 | 23.30 | 19.63 | 16.34 | 11.86 | 7.99  | 5.44  | 4.04 | 2.26 |
|   | 1.74 | 30.08                                     | 37.62 | 36.19 | 30.50 | 25.39 | 18.43 | 12.41 | 8.46  | 6.28 | 3.51 |
|   | 2.04 | 35.27                                     | 44.10 | 42.43 | 35.76 | 29.76 | 21.60 | 14.55 | 9.91  | 7.36 | 4.12 |
|   | 2.27 | 39.25                                     | 49.08 | 47.22 | 39.79 | 33.12 | 24.04 | 16.19 | 11.03 | 7.97 | 4.59 |
|   | 2.03 | 35.10                                     | 43.89 | 42.22 | 35.59 | 29.62 | 21.50 | 14.47 | 9.87  | 7.33 | 4.10 |
|   | 1.69 | 29.22                                     | 36.54 | 35.15 | 29.63 | 24.66 | 17.90 | 12.05 | 8.21  | 6.10 | 3.41 |
|   | 1.06 | 18.33                                     | 22.92 | 22.05 | 18.58 | 15.47 | 11.23 | 7.56  | 5.15  | 3.83 | 2.14 |
|   |      | Evaluated Values                          |       |       |       |       |       |       |       |      |      |

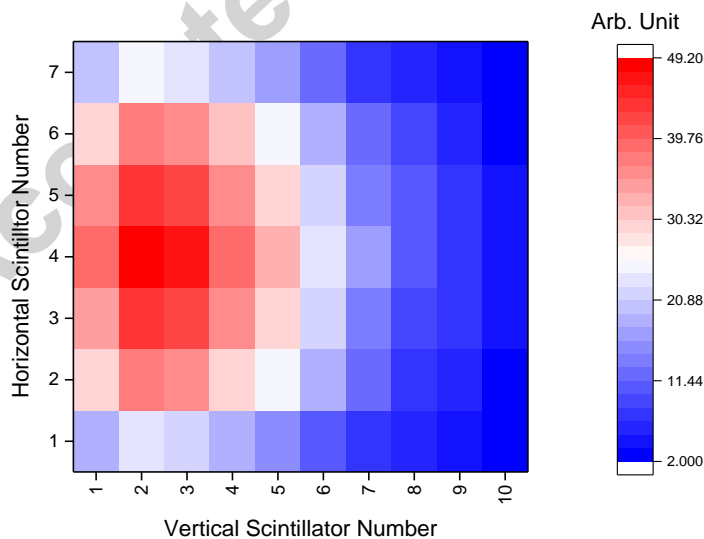


Figure 11: The 2D thermal neutron image reconstructed through the multiplication of vertical by horizontal scintillators F8 values taken from Table 1.

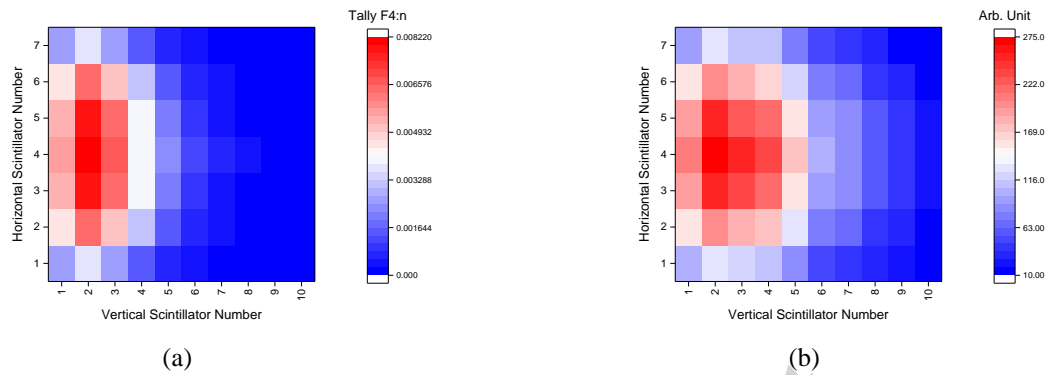


Figure 12: A 2D plot of (a) MCNP–simulated thermal neutron flux within a small water phantom and (b) a reconstructed image obtained from the pulse–heights of horizontal and vertical scintillators.

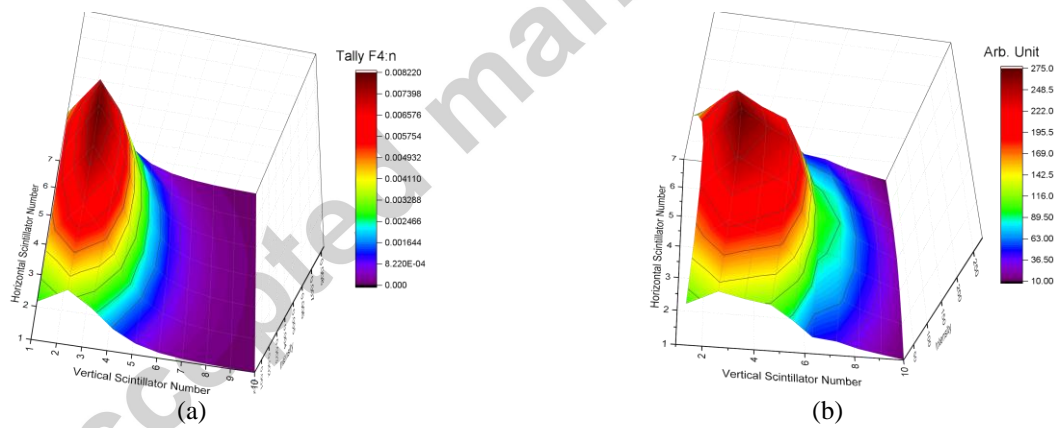


Figure 13: A 3D plot of (a) MCNP–simulated thermal neutron flux within a small water phantom and (b) a reconstructed image obtained from the pulse–heights of horizontal and vertical scintillators.



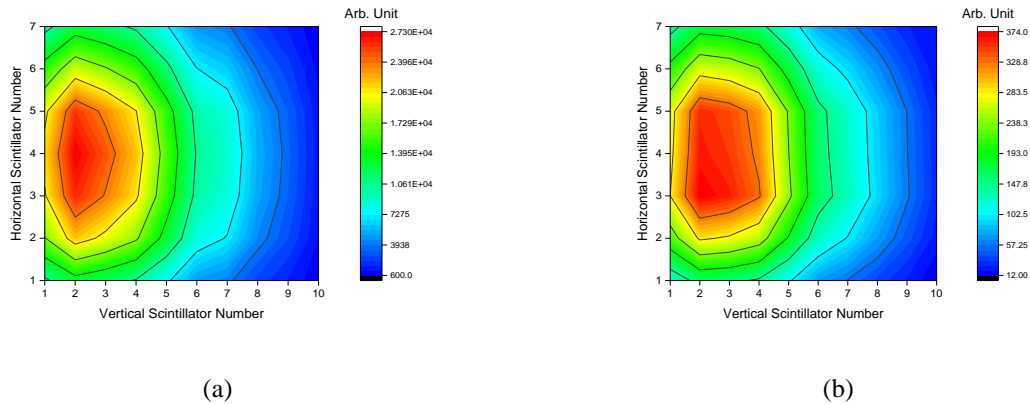


Figure 14: A 2D contour plot version of thermal neutron reconstructed image for an incident rectangular beam of different energies: (a) 1keV and (b) 10keV.

## 5. Concluding remarks

The development of reliable and real-time instrument for thermal neutron flux mapping inside a water phantom is an important issue in clinical applications of BNCT within the framework of pre-treatment QA. In this research, a measurement system consists of 17 commercially-available plastic scintillators and PMTs together with some shielding/collimator materials of special geometry, has been proposed.

The Monte Carlo simulations with MCNPX code show that the proposed system can generate 2D image of thermal neutron flux distribution with 2-cm spatial resolution based on the detection of 2.22MeV gamma rays. The system also exhibits an acceptable sensitivity to incident neutron energy. The image quality enhancement can be performed by incorporating appropriate anti-coincidence circuits, one among seven horizontal scintillators and the other between ten vertical ones which is still being investigated.

## Acknowledgements

We are grateful to anonymous reviewers for careful reading of the manuscript and their helpful comments. Also, the first author (NG) would like to thank both the School of Physics and Astronomy,

---

University of Birmingham, U. K., for the research support and Damghan University, Iran, for the short-visit grant.

### References

- (Binns et al., 2005) Binns, P. J., Riley, K. J., & Harling, O. K. (2005). Epithermal neutron beams for clinical studies of boron neutron capture therapy: a dosimetric comparison of seven beams. *Radiation research*, 164(2), 212–220.
- (Farías et al., 2014) Farías, R. O., Bortolussi, S., Menéndez, P. R., & González, S. J. (2014). Exploring Boron Neutron Capture Therapy for non-small cell lung cancer. *Physica Medica*, 30 (8), 888–897.
- (Gerber et al., 1977) Gerber, M. S., Miller, D. W., Schlosser, P. A., Steidley, J. W., & Deutchman, A. H. (1977). Position sensitive gamma ray detectors using resistive charge division readout. *Nuclear Science, IEEE Transactions on*, 24(1), 182–187.
- (Ghal-Eh et al., 2007) Ghal-Eh, N., Koochi-Fayegh, R., & Hamidi, S. (2007). Low-energy neutron flux measurement using a resonance absorption filter surrounding a lithium glass scintillator. *Radiation Physics and Chemistry*, 76(6), 917–920.
- (Hatanaka, 1987) Hatanaka, H. (1987). Neutron capture therapy.
- (McGregor et al., 1996) McGregor, D. S., Lindsay, J. T., & Olsen, R. W. (1996). Thermal neutron detection with cadmium 1- x zinc x telluride semiconductor detectors. *Nuclear Instruments and Methods in Physics Research Section A: Accelerators, Spectrometers, Detectors and Associated Equipment*, 381(2), 498–501.
- (McKinney et al., 2007) McKinney, G. W., Durkee, J., Hendricks, J., James, M., Johns, R., Pelowitz, D. B., & Waters, L. S. (2007). MCNPX 2.6. X features (2006–2007). Los Alamos National Laboratory Report LA-UR-07-2053, M&C/SNA.
- (Mostafaei et al., 2015) Mostafaei, F., McNeill, F. E., Chettle, D. R., Matysiak, W., Bhatia, C., & Prestwich, W. V. (2015). An investigation of the neutron flux in bone-fluorine phantoms comparing accelerator based in vivo neutron activation analysis and FLUKA simulation data. *Nuclear Instruments and Methods in Physics Research Section B: Beam Interactions with Materials and Atoms*, 342, 249–257.
- (NIST) NIST website, <http://physics.nist.gov/PhysRefData/XrayMassCoef/ElemTab/z82.html>

---

(Rassow et al., 2001) Rassow, J., Stecher-Rasmussen, F., Voorbraak, W., Moss, R., Vroegindewij, C., Hideghéty, K., & Sauerwein, W. (2001). Comparison of quality assurance for performance and safety characteristics of the facility for Boron Neutron Capture therapy in Petten/NL with medical electron accelerators. *Radiotherapy and Oncology*, 59(1), 99–108.

Accepted manuscript

- 
- A plastic scintillator-based instrument is proposed for thermal neutron mapping in water phantom.
  - A two-dimensional map of thermal neutrons is presented based on 2.22MeV gamma-ray detection.
  - The whole system has been simulated using Monte Carlo code MCNPX 2.6.
  - The results confirm that the thermal flux peaks between 2cm and 4cm distance from the system entrance.

Accepted manuscript